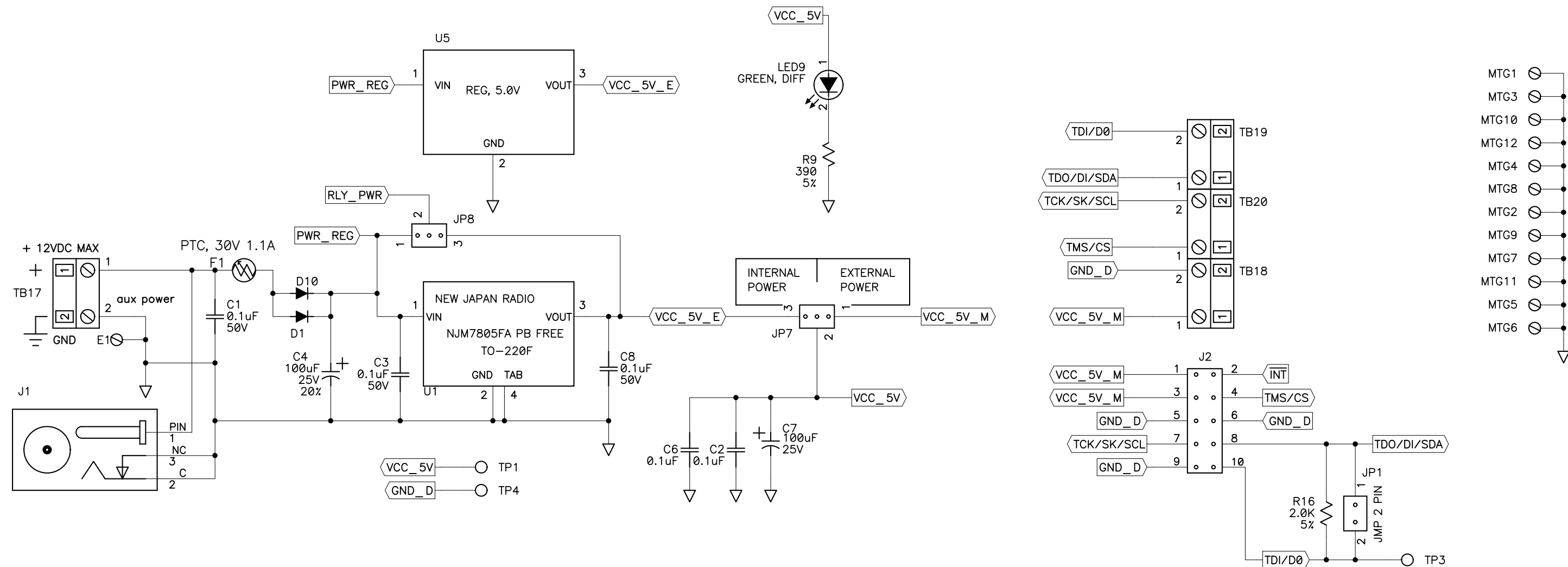


REVISIONS

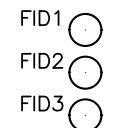
ECN	REV	DESCRIPTION	DATE	APPROVED
	A	INITIAL RELEASE	08/11/08	TGP
	B	ADDED JP1 MTG11-12 / AND MOD SILK SCREEN	09/12/08	
	C	ADDED JP1 MTG11-12 / AND MOD SILK SCREEN	05/31/11	



CADX Services, Inc. Tel: 585-624-1491
 Fax: 585-582-1101
 Web: www.cadx-pcb.com
 PO Box 311 Honeoye Falls, NY 14472 sales@cadx-pcb.com

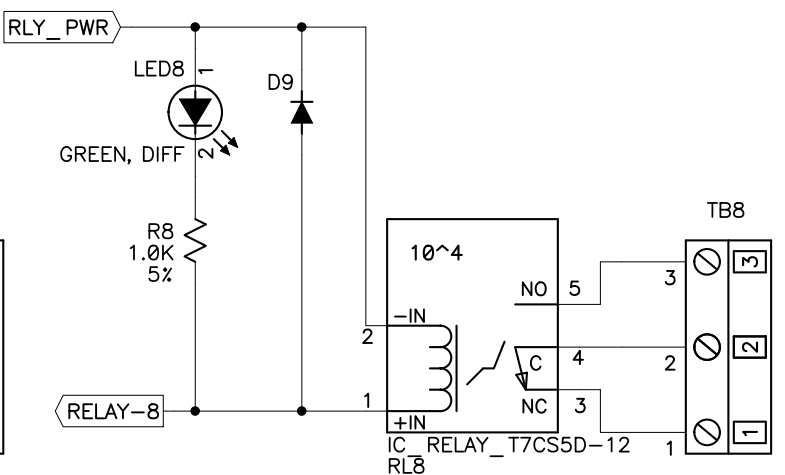
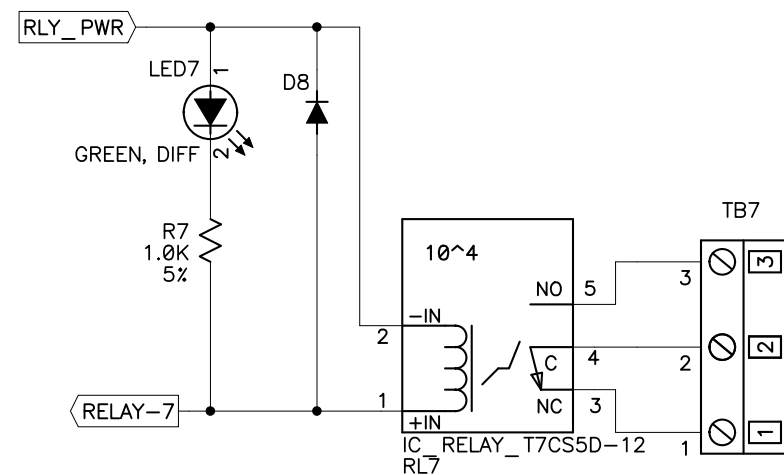
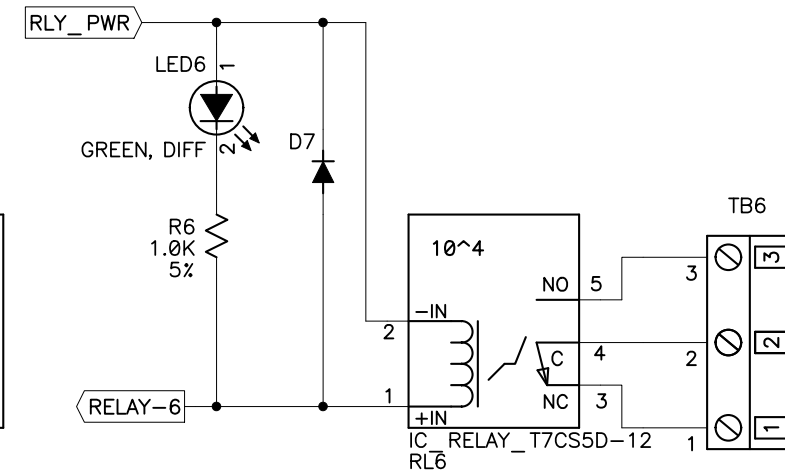
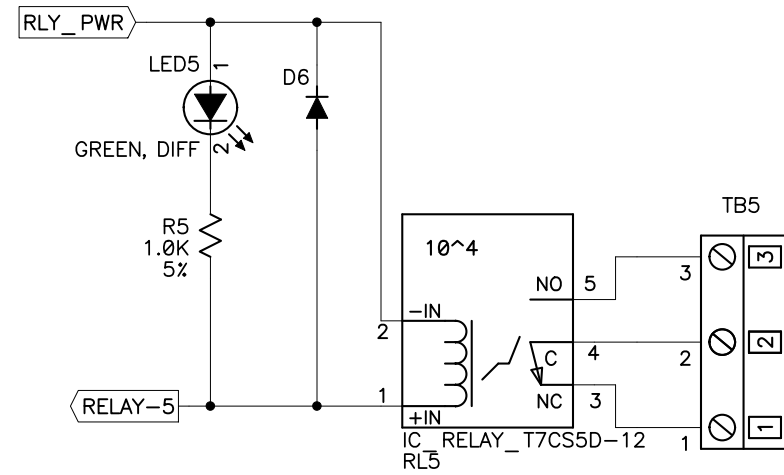
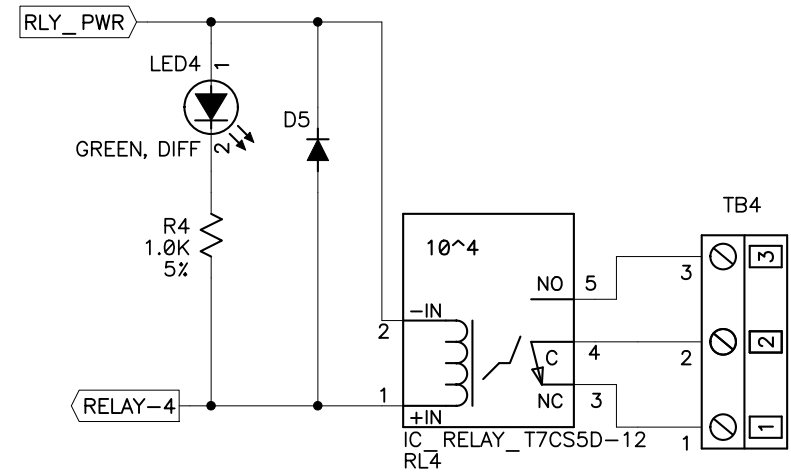
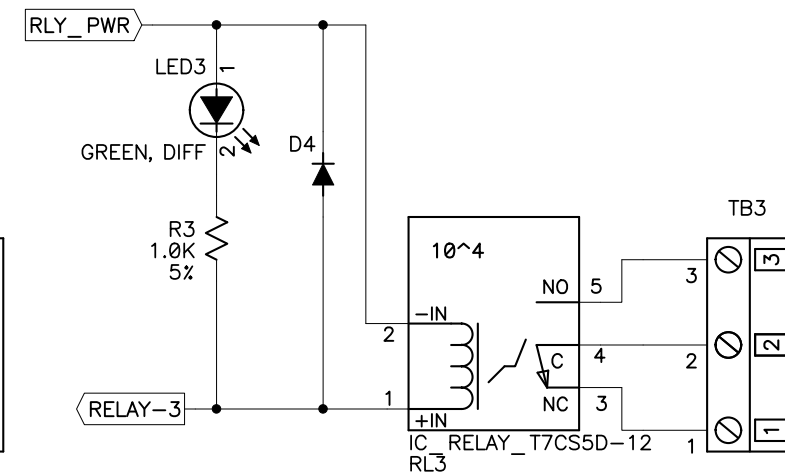
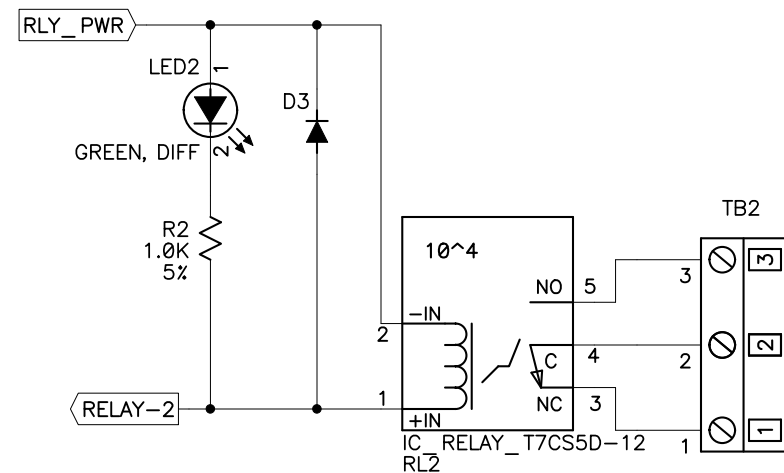
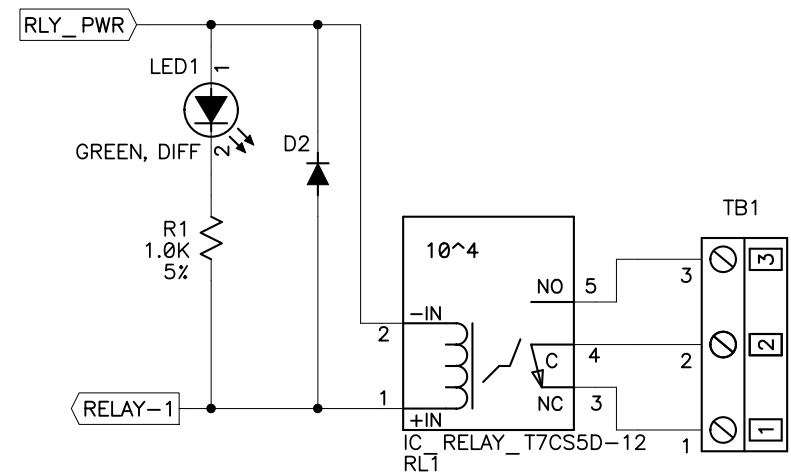
**SCHEMATIC
 I2C, 8 PWR RELAY W/ INDICATORS**

ALL INFORMATION CONTAINED IN OR DISCLOSED BY THIS DOCUMENT IS CONSIDERED PROPRIETARY BY CADX SERVICES, INC. AND IS DELIVERED TO YOU IN CONFIDENCE. ALL DESIGN, MANUFACTURING, USE, PRODUCTION, AND ALL SALES RIGHTS, ARE EXPRESSLY PRESERVED BY AND TO CADX SERVICES, INC. AND COMMUNICATION OF THIS INFORMATION TO OTHERS IS PROHIBITED WITHOUT PRIOR WRITTEN CONSENT OF CADX SERVICES, INC.



DRAWN		
CHECKED	N/A	
ENG APVD	N/A	
GA APVD	N/A	
MFG APVD	N/A	
DOC CONT	N/A	
RELEASE	N/A	
DIMENSIONS ARE IN INCHES DIMENSIONS PER ANSI Y14.5 UNLESS SPECIFIED		
DO NOT SCALE DRAWING		
MATERIAL		
FINISH		
DASH	N/A	N/A
NEXT ASSY		
MODEL USED		
APPLICATION		
TOLERANCES UNLESS SPECIFIED		
.X .1	.001-.063 DIA. +/- .003	
.XX .02	.064-.188 DIA. +.004 -.003	
.XXX .001	.189 AND OVER +/- .005	
ANGLES 2 DEG		

SCHEMATIC KS-I2C-8-RL-PWR-TH-000DREV. D		PCB KF-I2C-8-RL-PWR-TH-000D REV. D	
PRODUCT KA-I2C-8-RL-PWR-TH-000DREV. D		GERBERS KF-I2C-8-RL-PWR-TH-000D REV. D	
SIZE	DWG NO.	REV	
B	KS-I2C-8-RL-PWR-TH-000D	D	
SCALE NONE	DATE Tue Jun 14, 2011	SHEET 1 of 3	



ALL INFORMATION CONTAINED IN OR DISCLOSED BY THIS DOCUMENT IS CONSIDERED PROPRIETARY BY CADX SERVICES, INC. AND IS DELIVERED TO YOU IN CONFIDENCE. ALL DESIGN, MANUFACTURING, USE, PRODUCTION, AND ALL SALES RIGHTS, ARE EXPRESSLY PRESERVED BY AND TO CADX SERVICES, INC. AND COMMUNICATION OF THIS INFORMATION TO OTHERS IS PROHIBITED WITHOUT PRIOR WRITTEN CONSENT OF CADX SERVICES, INC.

SIZE B	DWG NO. KS-12C-8-RL-PWR-TH-000D	REV D
SCALE NONE	DATE Tue Jun 14, 2011	SHEET 2 of 3

SERIAL 0-7

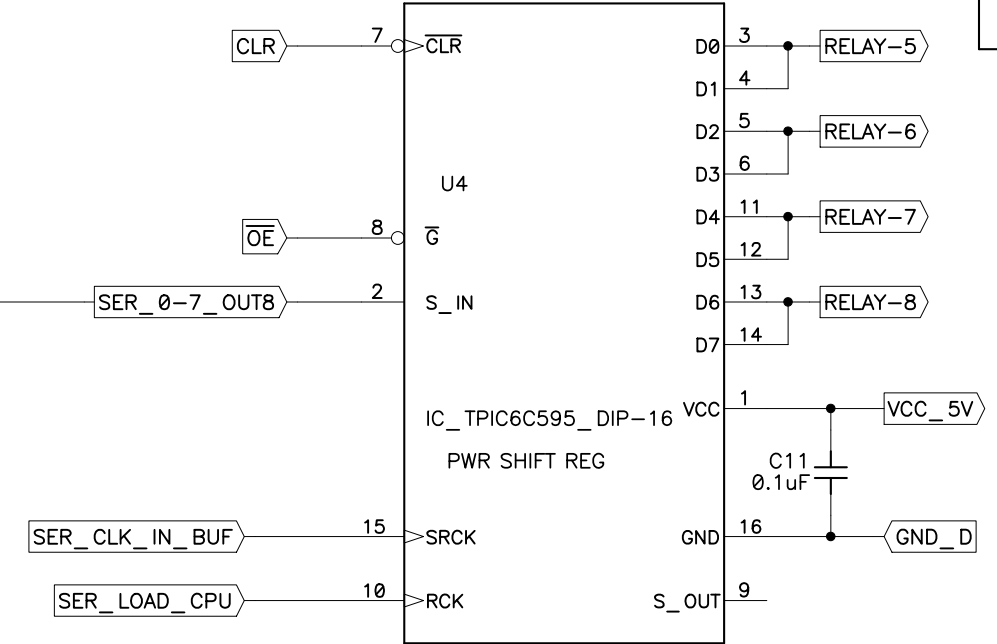
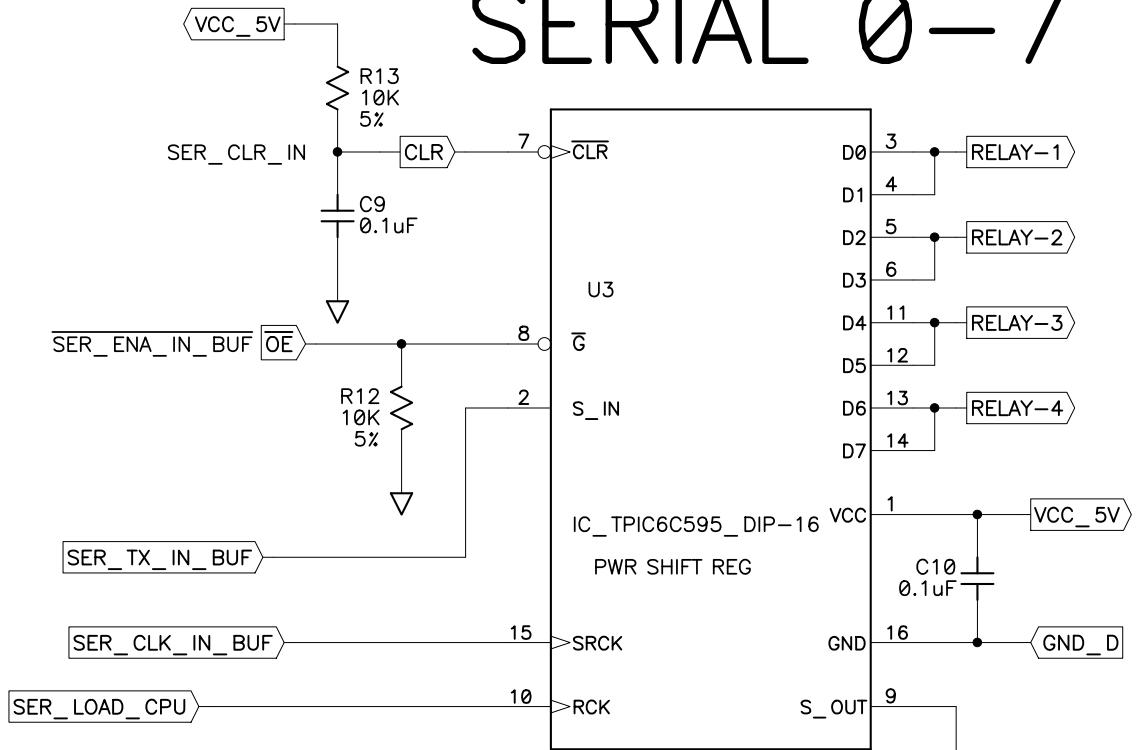
SERIAL 8-15

MATERIALS, PCB
 COST = \$0.30 / SQ. INCH; 7.43 SQ. IN.
 2.23

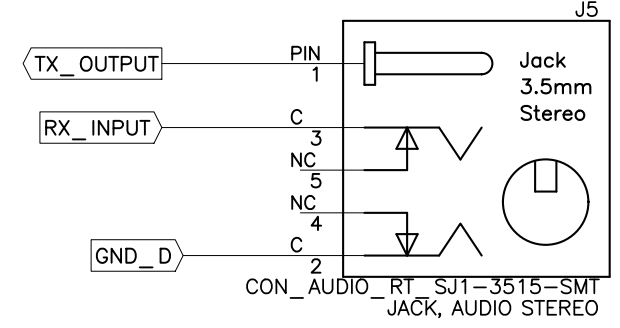
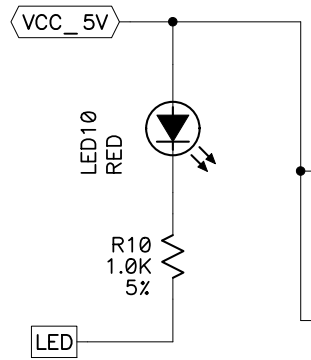
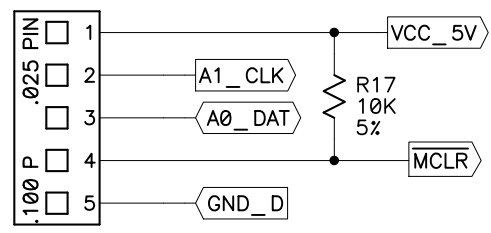
LABOR, ASSEMBLY
 RATE = \$36 / HR, \$0.06 / PIN
 17.94

LABOR, ASSEMBLY QUALITY CONTROL
 RATE = \$10 / HR; 2 MIN / UNIT
 0.333

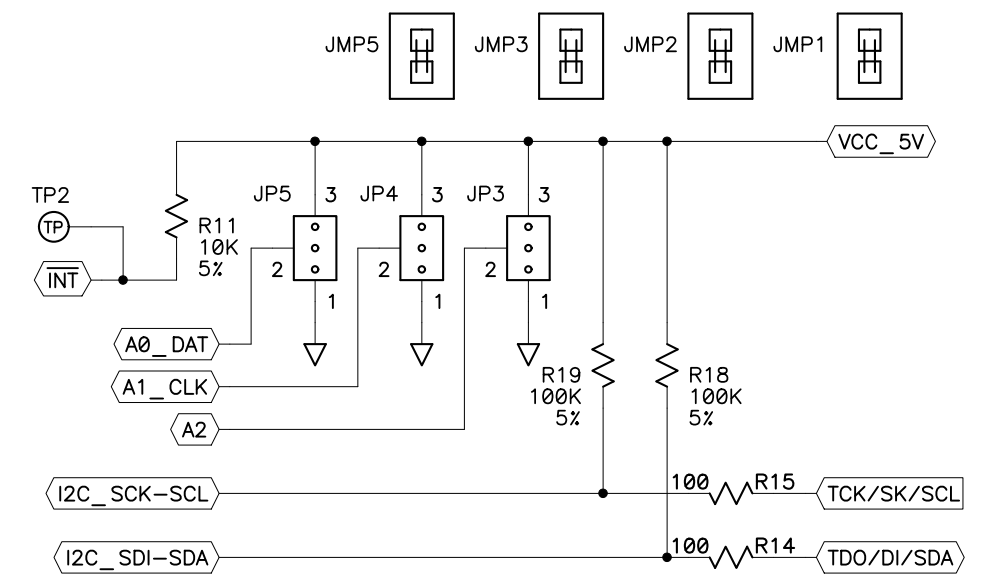
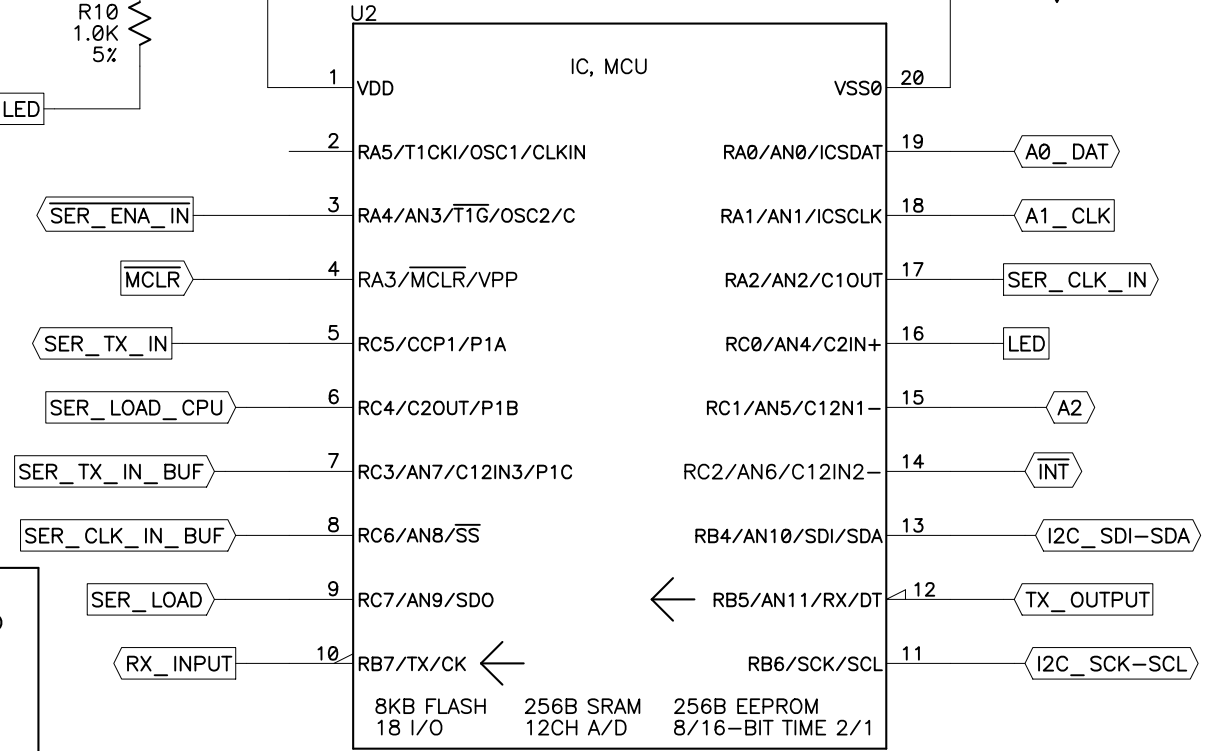
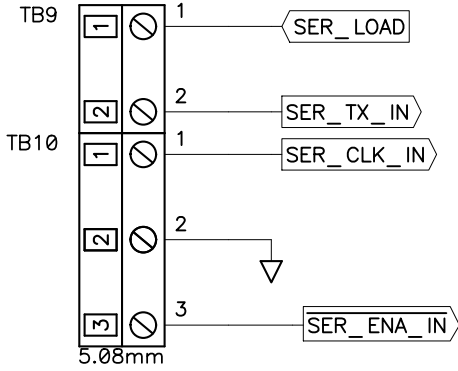
LABOR, PACKAGING
 RATE = \$10 / HR; 5 MIN / UNIT
 1



ICSP



IN



ALL INFORMATION CONTAINED IN OR DISCLOSED BY THIS DOCUMENT IS CONSIDERED PROPRIETARY BY CADX SERVICES, INC. AND IS DELIVERED TO YOU IN CONFIDENCE. ALL DESIGN, MANUFACTURING, USE, PRODUCTION, AND ALL SALES RIGHTS, ARE EXPRESSLY PRESERVED BY AND TO CADX SERVICES, INC. AND COMMUNICATION OF THIS INFORMATION TO OTHERS IS PROHIBITED WITHOUT PRIOR WRITTEN CONSENT OF CADX SERVICES, INC.

SIZE B	DWG NO. KS-12C-8-RL-PWR-TH-000D	REV D
SCALE NONE	DATE Tue Jun 14, 2011	SHEET 3 of 3