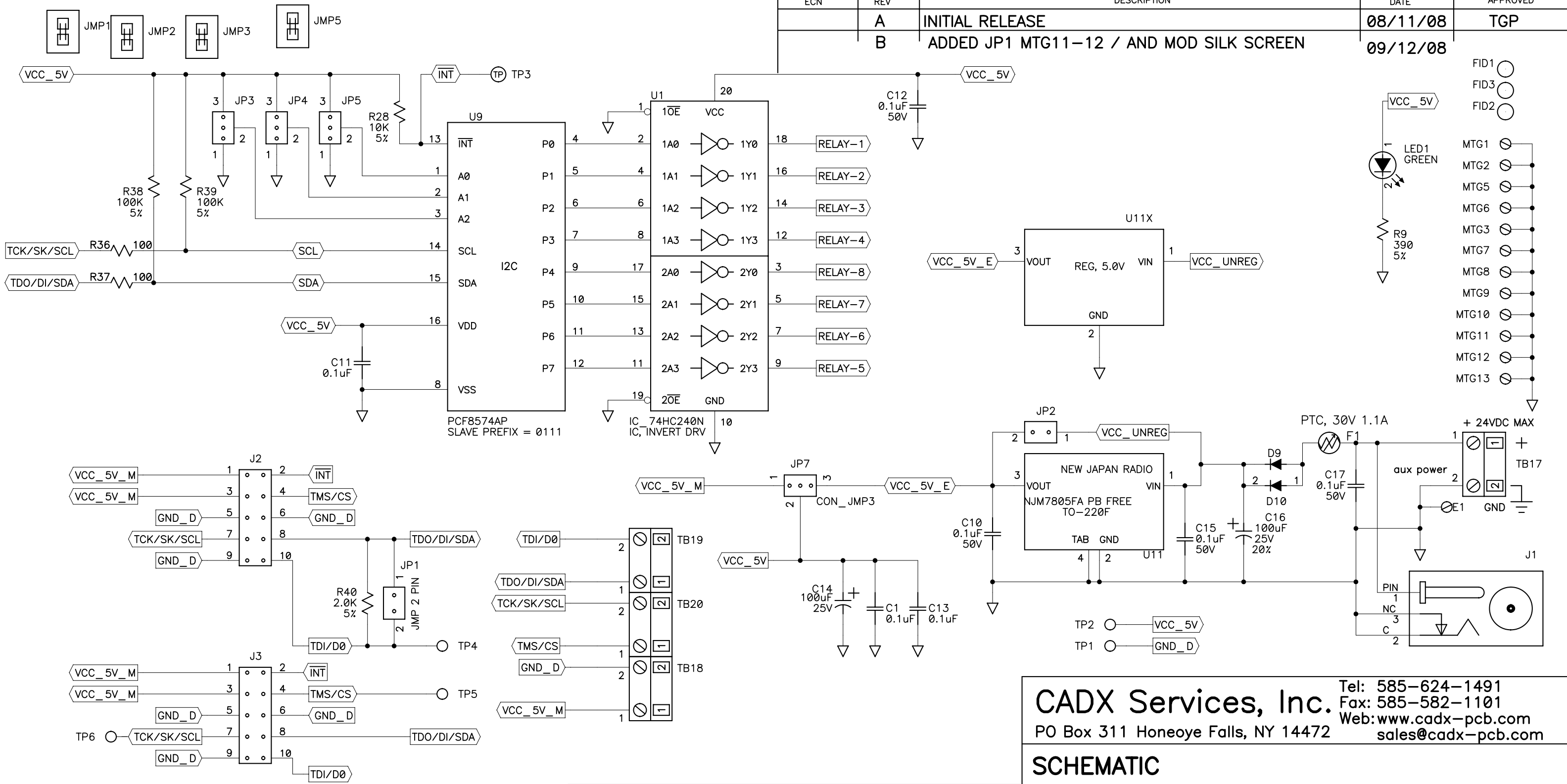


REVISIONS

ECN	REV	DESCRIPTION	DATE	APPROVED
	A	INITIAL RELEASE	08/11/08	TGP
	B	ADDED JP1 MTG11-12 / AND MOD SILK SCREEN	09/12/08	



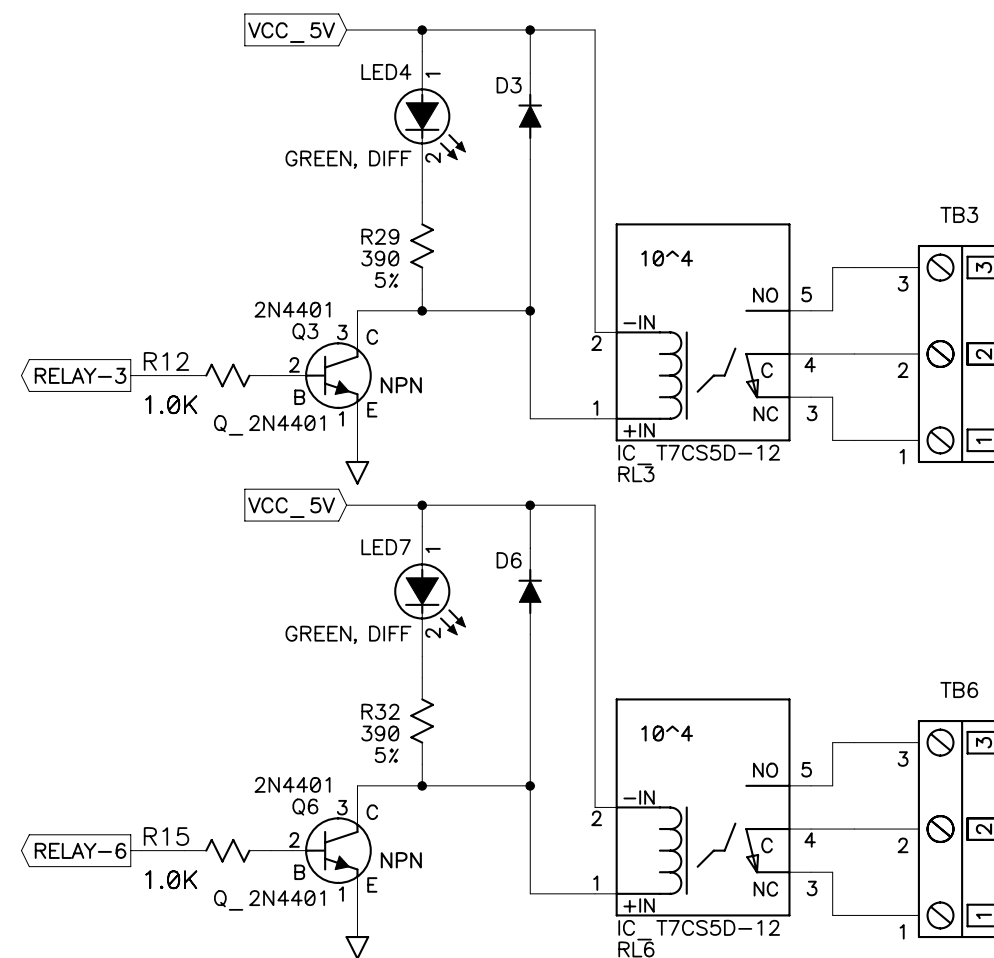
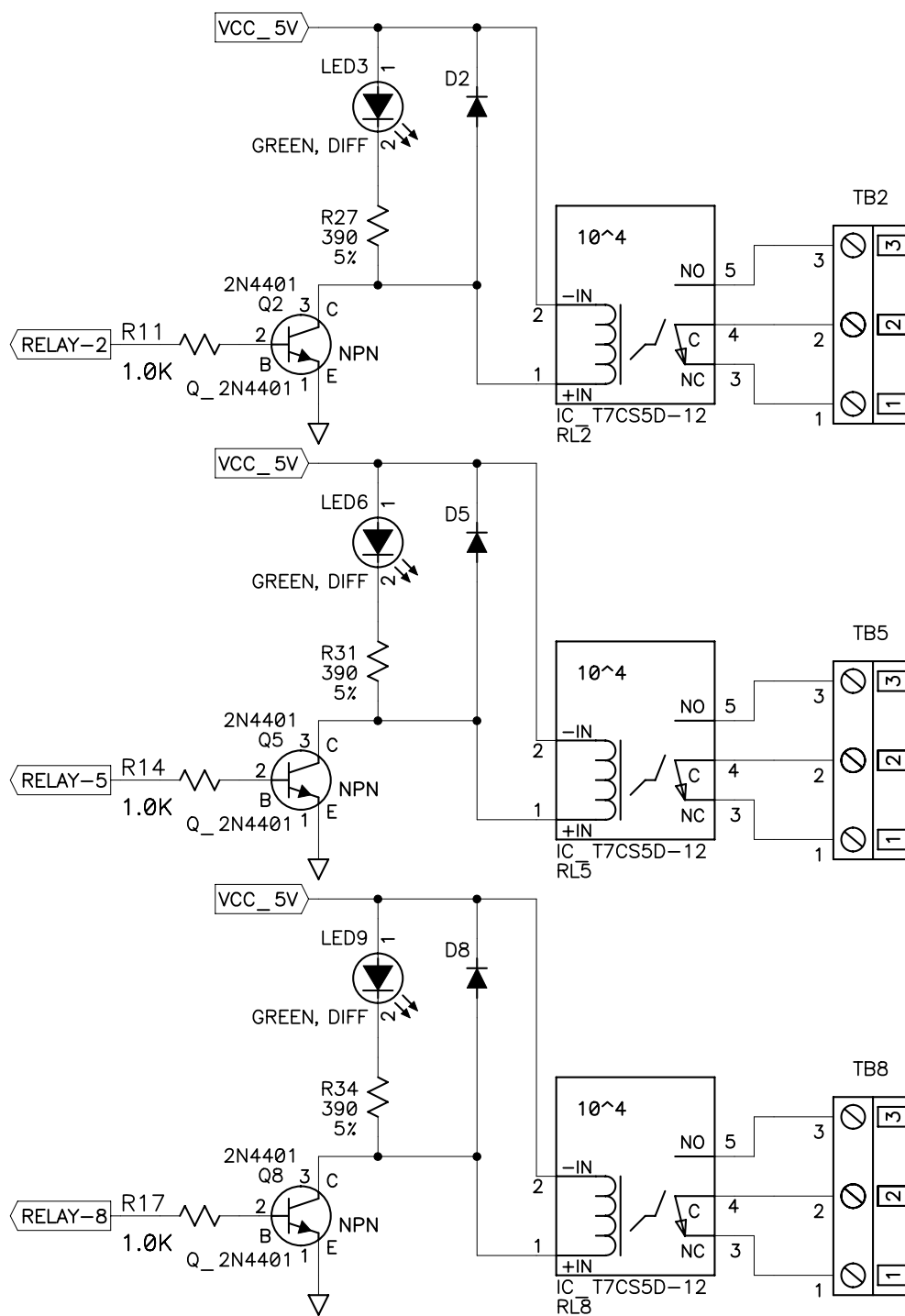
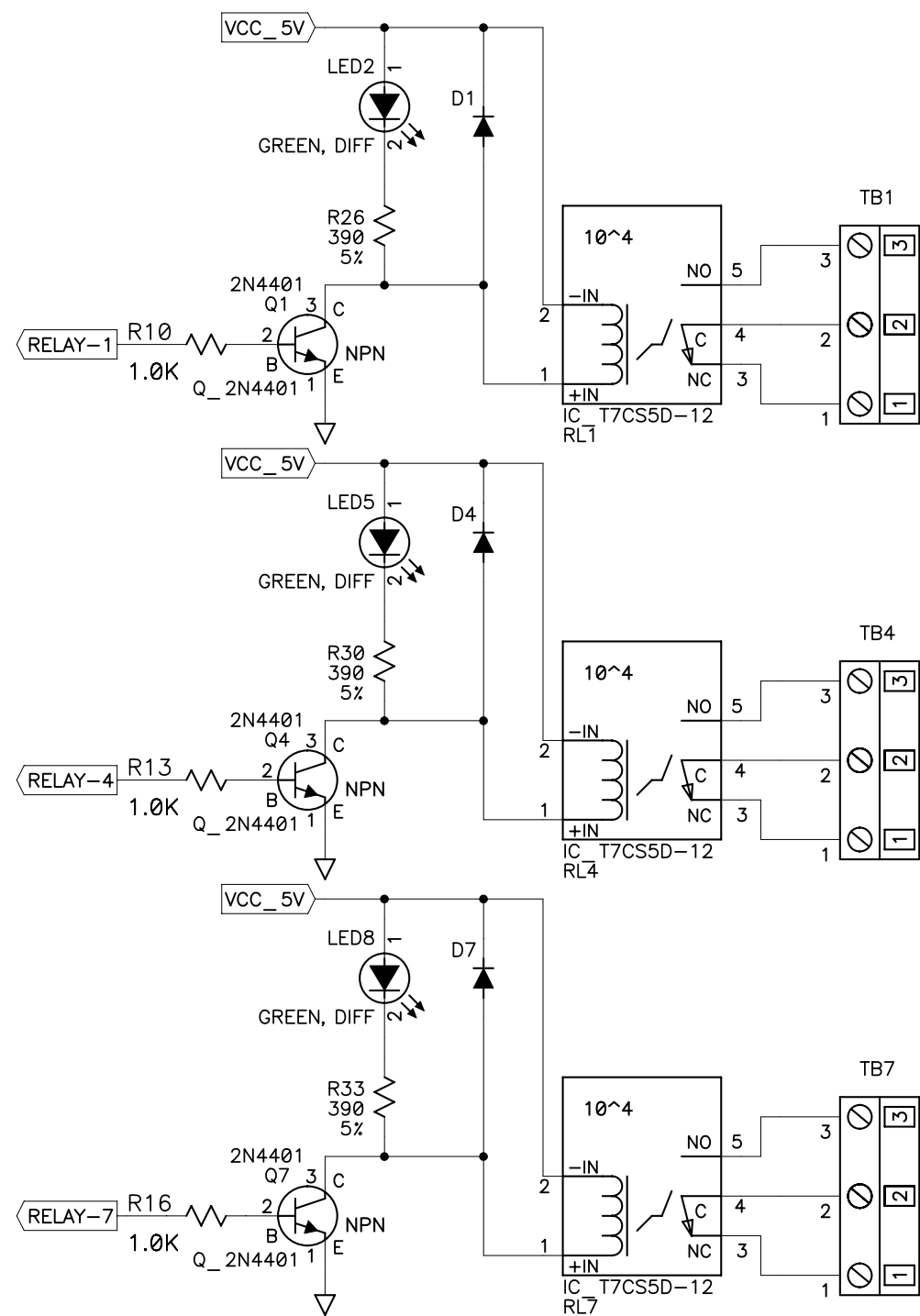
ALL INFORMATION CONTAINED IN OR DISCLOSED BY THIS DOCUMENT IS CONSIDERED PROPRIETARY BY CADX SERVICES, INC. AND IS DELIVERED TO YOU IN CONFIDENCE. ALL DESIGN, MANUFACTURING, USE, PRODUCTION, AND ALL SALES RIGHTS, ARE EXPRESSLY PRESERVED BY AND TO CADX SERVICES, INC. AND COMMUNICATION OF THIS INFORMATION TO OTHERS IS PROHIBITED WITHOUT PRIOR WRITTEN CONSENT OF CADX SERVICES, INC.

DRAWN	
CHECKED	N/A
ENG APVD	N/A
QA APVD	N/A
MFG APVD	N/A
DOC CONT	N/A
RELEASE	N/A
DIMENSIONS ARE IN INCHES DIMENSIONS PER ANSI Y14.5 UNLESS SPECIFIED	
DO NOT SCALE DRAWING	
MATERIAL	
FINISH	
X .1	.001-.063 DIA. +/- .003
XX .02	.064-.188 DIA. +.004 -.003
XXX .001	.189 AND OVER +/- .005
ANGLES 2 DEG.	

CADX Services, Inc. Tel: 585-624-1491
 Fax: 585-582-1101
 PO Box 311 Honeoye Falls, NY 14472
 Web: www.cadx-pcb.com
 sales@cadx-pcb.com

SCHEMATIC
I2C, 8 PWR RELAY W/ INDICATORS

SCHEMATIC KS-I2C-8-RL-PWR-TH-000C REV. C		PCB KF-I2C-8-RL-PWR-TH-000C REV. C	
PRODUCT KA-I2C-8-RL-PWR-TH-000C REV. C		GERBERS KF-I2C-8-RL-PWR-TH-000C REV. C	
SIZE	DWG NO.	REV	
B	KS-I2C-8-RL-PWR-TH-000C	C	
SCALE NONE	DATE Fri Oct 03, 2008	SHEET 1 of 2	



ALL INFORMATION CONTAINED IN OR DISCLOSED BY THIS DOCUMENT IS CONSIDERED PROPRIETARY BY CADX SERVICES, INC. AND IS DELIVERED TO YOU IN CONFIDENCE. ALL DESIGN, MANUFACTURING, USE, PRODUCTION, AND ALL SALES RIGHTS, ARE EXPRESSLY PRESERVED BY AND TO CADX SERVICES, INC. AND COMMUNICATION OF THIS INFORMATION TO OTHERS IS PROHIBITED WITHOUT PRIOR WRITTEN CONSENT OF CADX SERVICES, INC.

SIZE B	DWG NO. KS-12C-8-RL-PWR-TH-000C	REV C
SCALE NONE	DATE Fri Oct 03, 2008	SHEET 2 of 2